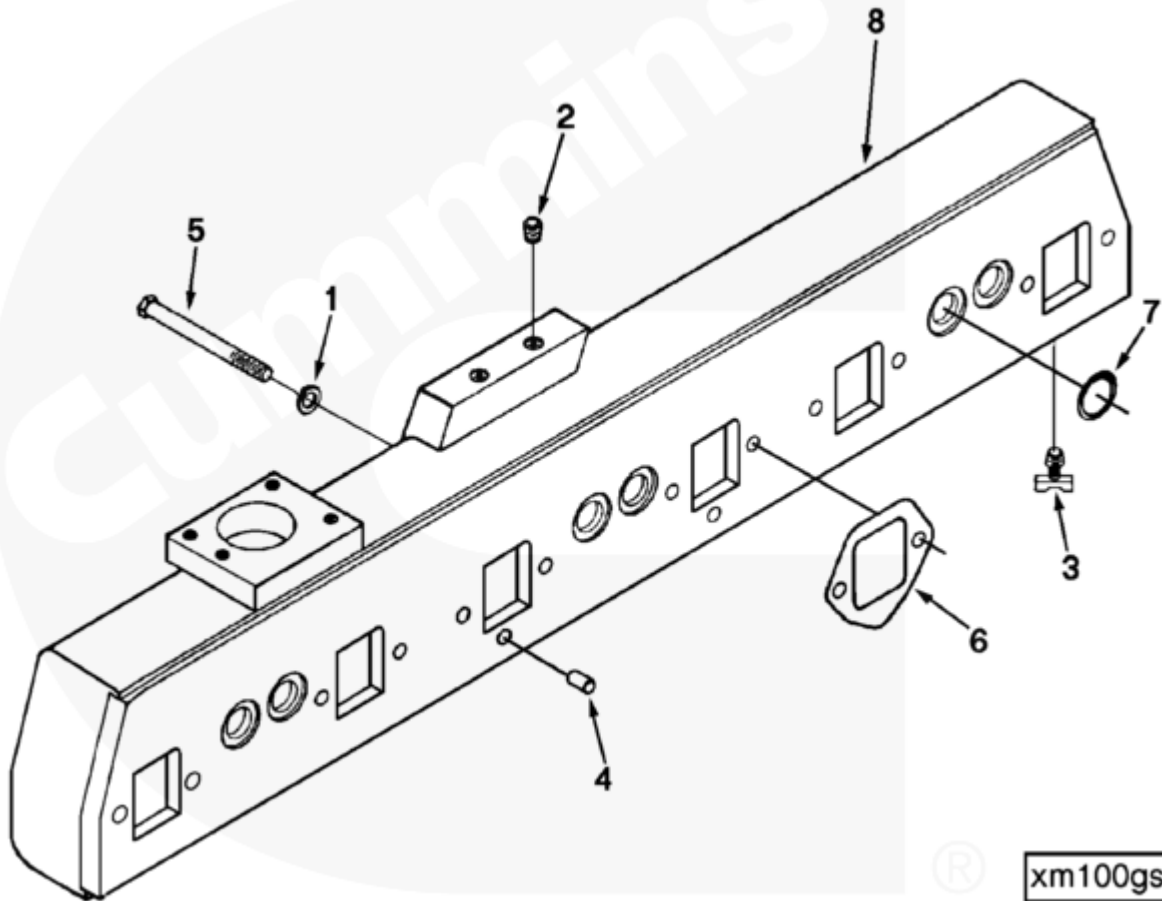




## Parts Catalog - Option Detail

Electronic Parts Catalog - Option Detail				
Option	Group	Graphic	Film Card	Date
XM1020	11.01	xm100gs	F	15-NOV-90
<b>Engines</b>	NH/NT 855, NT495, NT743, NTA855 N106			

©Cummins Inc



[SMALL](#) | [MEDIUM](#) | [LARGE](#)

Cart	Ref No	Part Number	Part Description	Required	Remarks
<a href="#">View My Cart</a>					
		<a href="#">XM1020</a>	Exhaust Manifold		<a href="#">Water cooled (wet) exhaust...(More)</a>
					manifold for naturally
					aspirated engines. No outlet
					connection.
<input type="checkbox"/>	1	<a href="#">S 610</a>	Lock Washer	12	7/16 in.

<input type="checkbox"/>	2	<a href="#">S 910 B</a>	Pipe Plug	2	1/4 NPT.
<input type="checkbox"/>	3	<a href="#">S 923 E</a>	Draincock	1	1/4 NPT
<input type="checkbox"/>	4	<a href="#">105199</a>	Groove Pin	2	
<input type="checkbox"/>	5	<a href="#">137890</a>	Hexagon Head Cap Screw	12	7/16 - 14 X 4 1/2 in.
<input type="checkbox"/>	6	<a href="#">3020943</a>	Exhaust Manifold Gasket	6	
<input type="checkbox"/>	7	<a href="#">178937</a>	O-Ring Seal	6	
<input type="checkbox"/>	8	<a href="#">3008590</a>	Exhaust Manifold	1	

© 2019 Cummins Inc., Box 3005, Columbus, IN 47202-3005 U.S.A.  
Terms of Use and Disclaimers | Recommended System Requirements  
Need Assistance? Please click on the Contact Us button in the top right corner of any page.